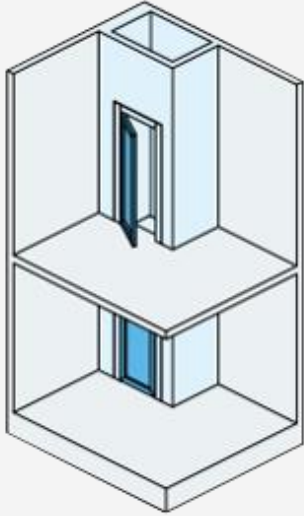
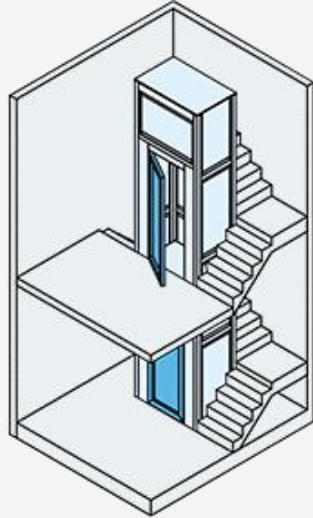


Suit

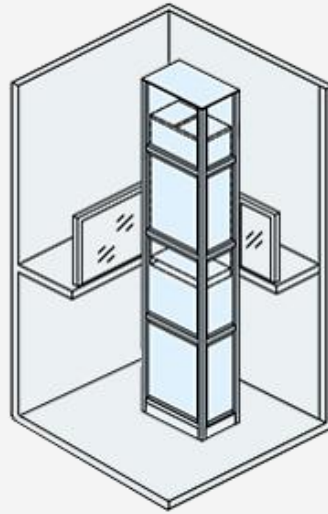
Flexible everywhere



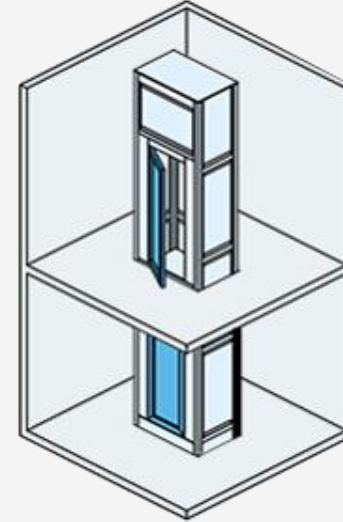
Concrete
hoistway



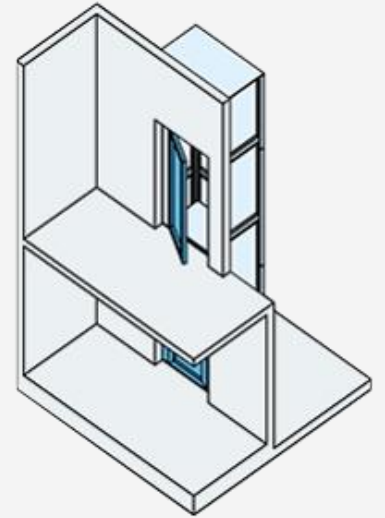
Staircase
wrap



Hollow hall



Floors
through

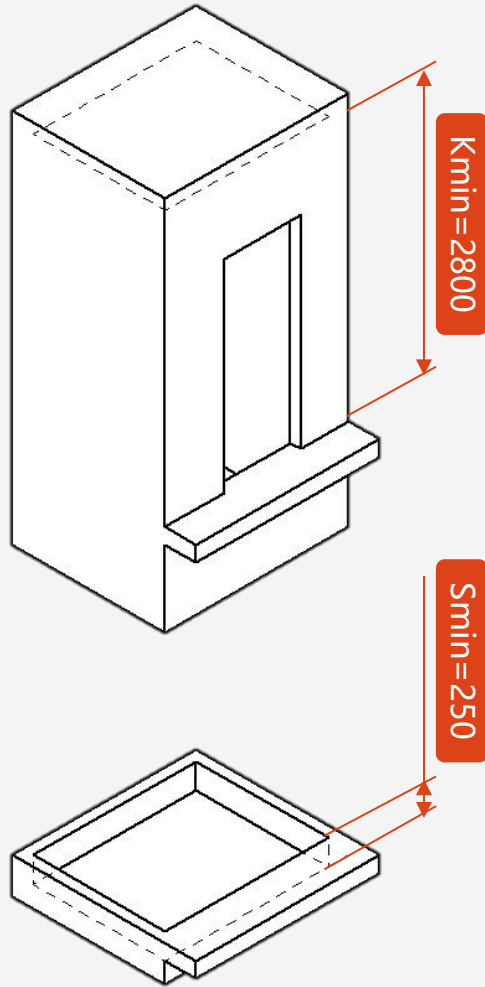


Side stand-by

■ Single-Terrace-Self-build; **Applicable to all scenarios**

Suit

Civil Engineering Flexible Design

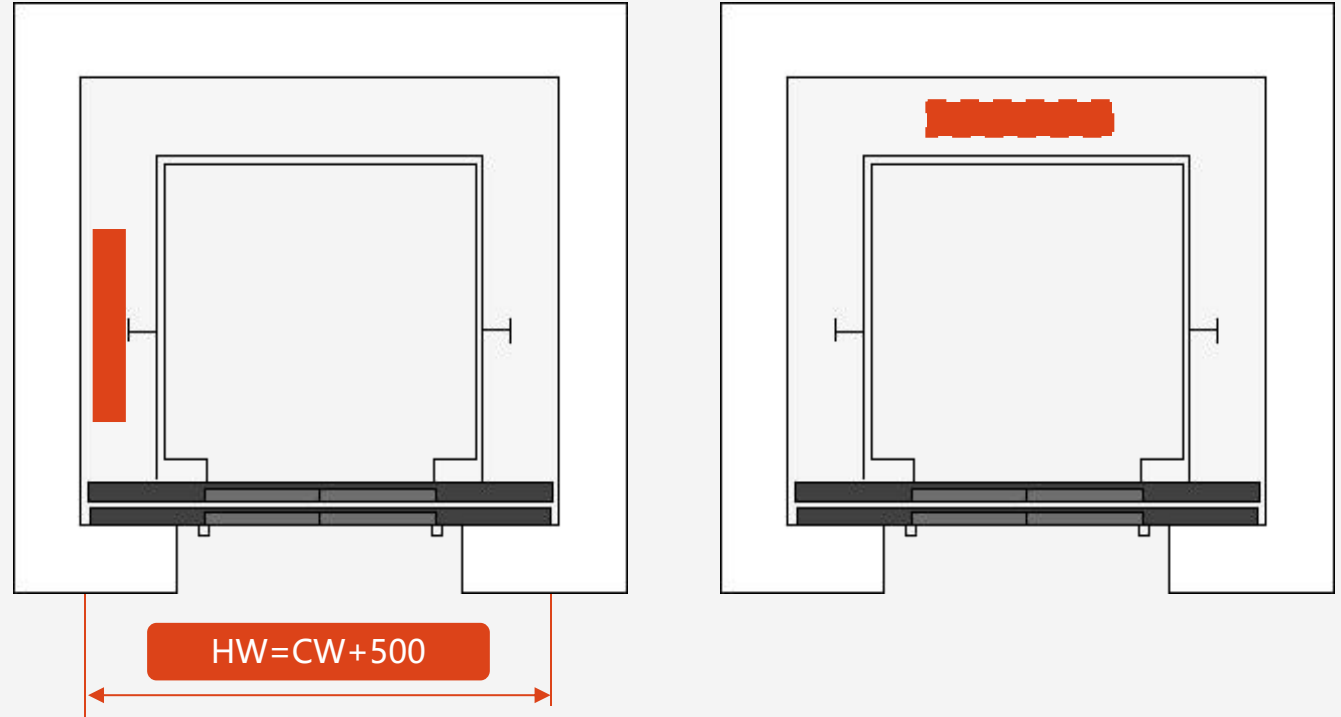


$K_{min} = 2800$

$S_{min} = 250$

$CH = 2200$

Heritage Classic Design



$HW = CW + 500$

Side Position

Position Rear Position

load $\leq 400\text{KG}$, speed $\leq 0.4\text{m/s}$

Suit

Flexible between building and decoration



Spray process



RAL multi-color optional

Multi-colored glass



Ultra-white and transparent



Tawny transparent

Simple / Elegant / Easy to install

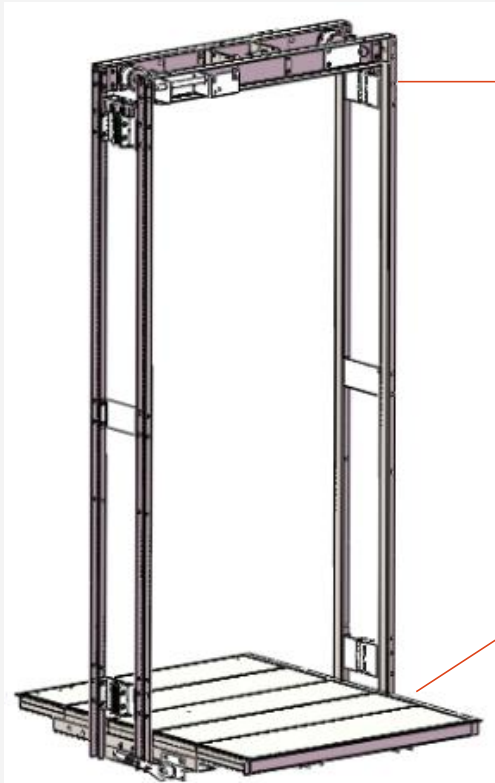
Smart-lego

Home Lift Hoistway

Alternative to traditional steel structures
/ Customized appearance to perfectly match the home decoration

Quiet

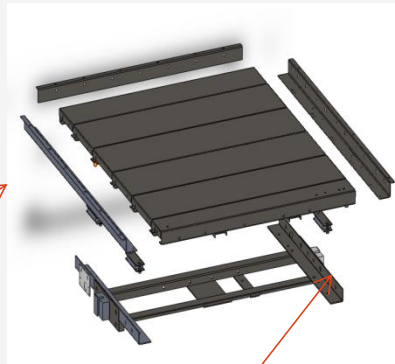
Quiet and comfortable design



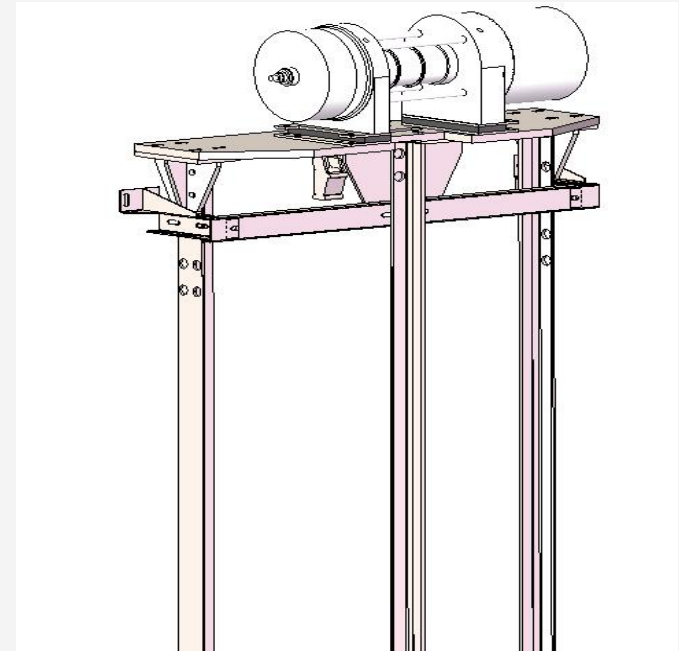
Second generation shock absorber car frame



Second-generation lubrication-free guide shoes



Rubber shock absorption



Full solid rail installation

Simplicity

Simple and reasonable



Multi-color optional classic all-match



Thickness 60mm

Thickness equivalent to a computer all-in-one



Low power consumption

Energy consumption per run: 0.02 degrees
(Take steel belt ladder as an example, R=12m)

Power consumption is about equal to a 600L
refrigerator with first-class energy consumption

Quiet

Silent Design



The latest traction machine brake noise suppression solution, quieter and more comfortable



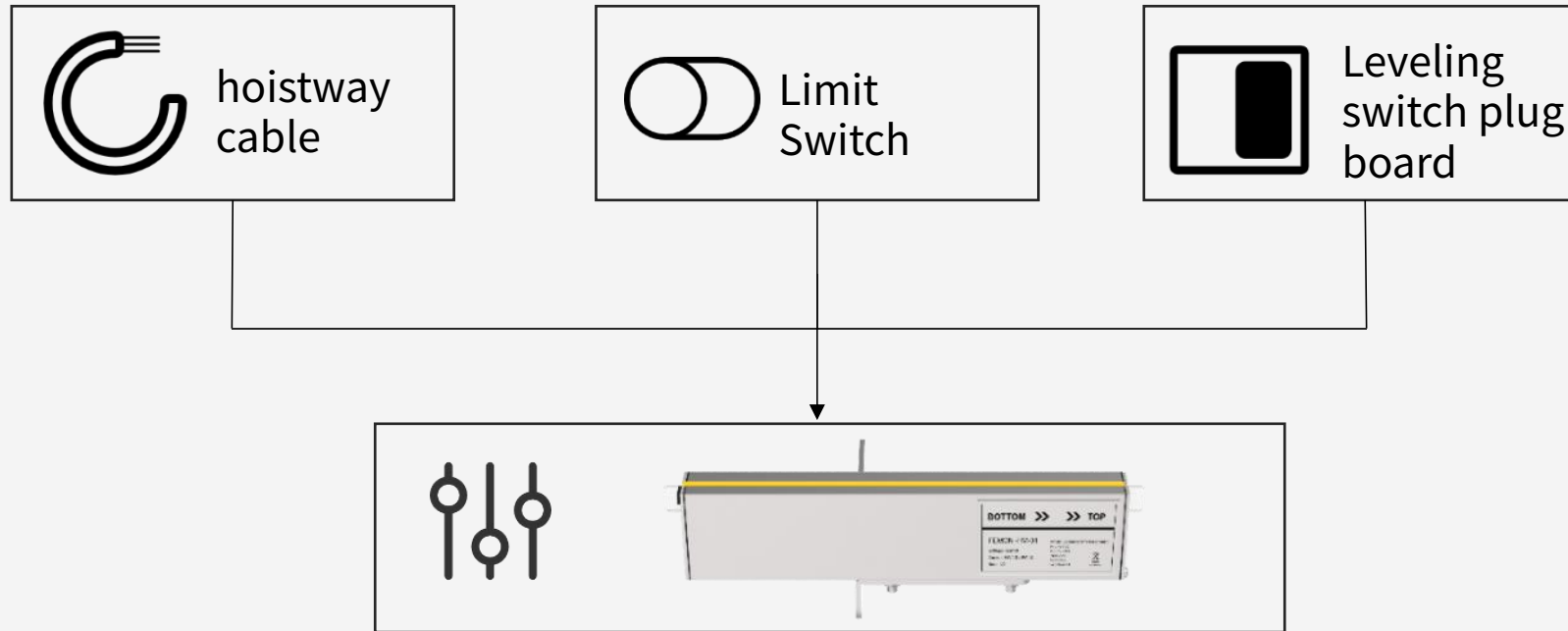
Polyurethane cladding increases flexibility, reduces wear and achieves lubrication-free, more stable and quieter

Noise **< 45db**

(Reference: Host no-load noise (national standard $\leq 62\text{dB(A)}$
Brake noise (national standard $\leq 70\text{dB(A)}$)

Simplicity

Reduce but not simplify



- Highly integrated **absolute position system**